

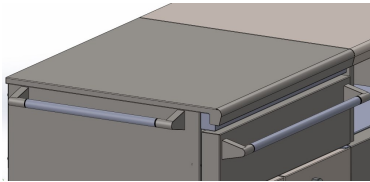


The following instructions are provided to help you install the Service and Prep Top, Asado, 30" Grill, Sonoma Smoker or Napoli Pizza Oven on the LMKC54.

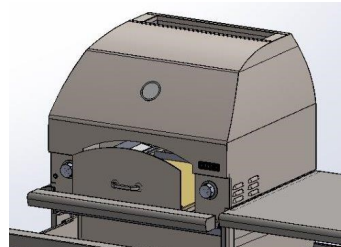
IMPORTANT: Be sure the LMKC54's casters are locked to avoid movement when installing the prep top.

Warning: the LPZA is approximately 254lbs., the L30AG is approximately 208lbs., the LSMK is approximately 135 lbs., and the L30PSR is approximately 241 lbs. you will require assistance to lift and install any of these items onto the cart.

Tools required: Rags, newspaper (to place any items on), Philips head screwdriver, and gloves.



L Serve



LPZA



L30AG



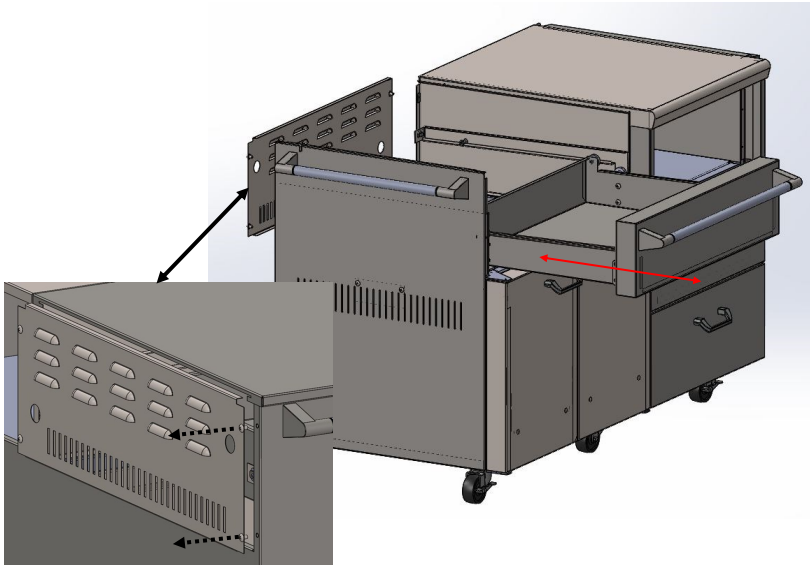
L30PSR



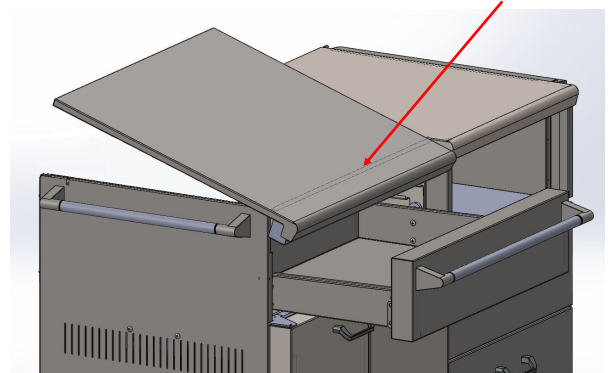
LSMK

LServe

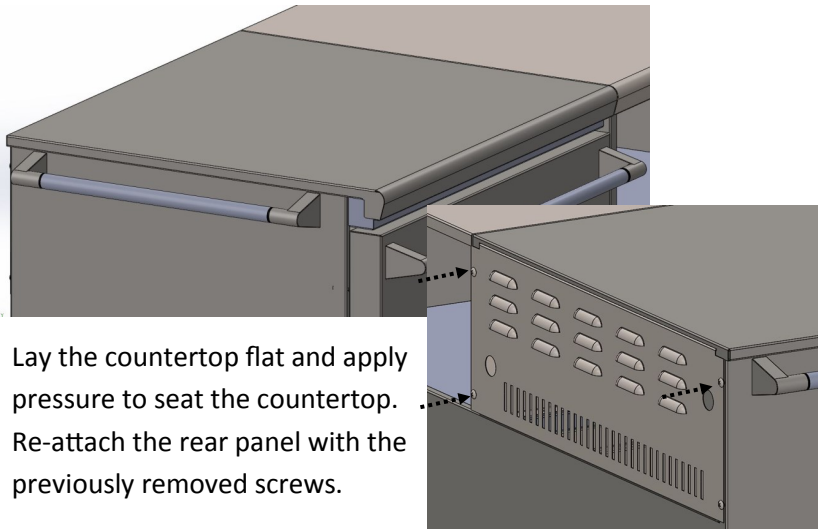
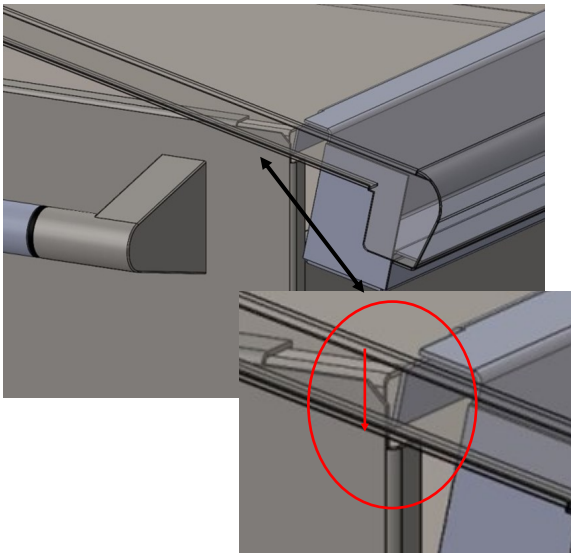
Remove the four screws on the back panel. Slide out drawer or remove completely to begin installation.



Align countertop at an angle, and install as shown with the front engaged first.



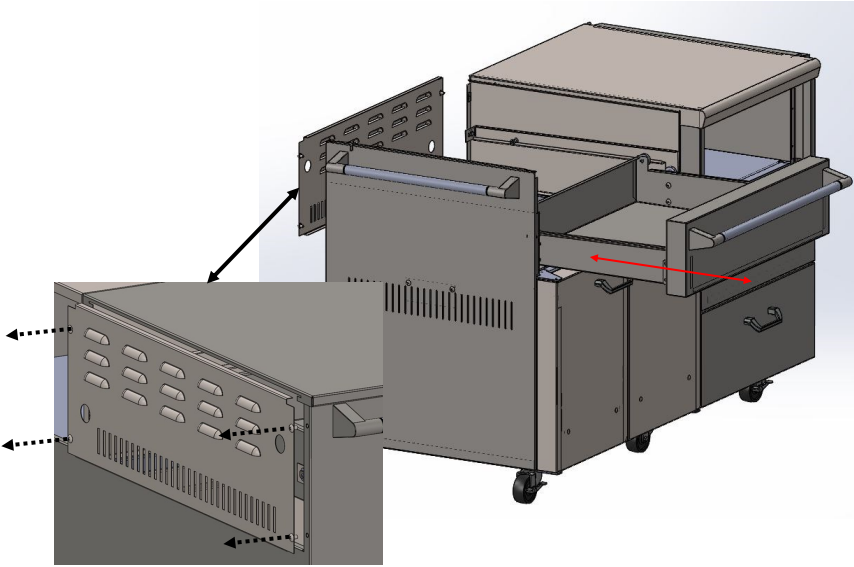
Hook the left tab inside the front frame.



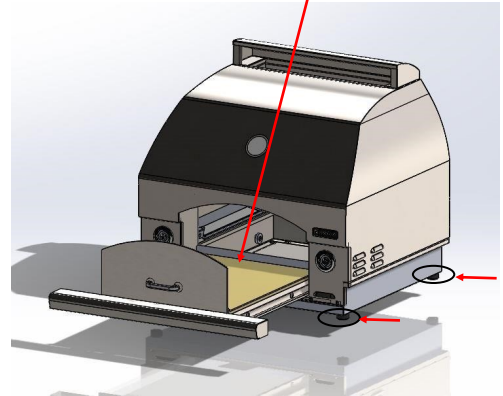
Lay the countertop flat and apply pressure to seat the countertop. Re-attach the rear panel with the previously removed screws.

LPZA

Remove the four screws on the back panel. Slide out drawer or remove completely to begin installation.

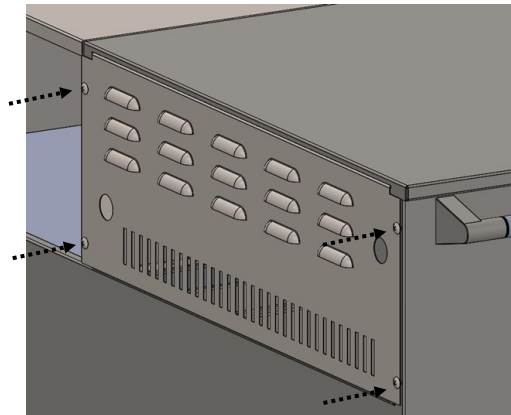
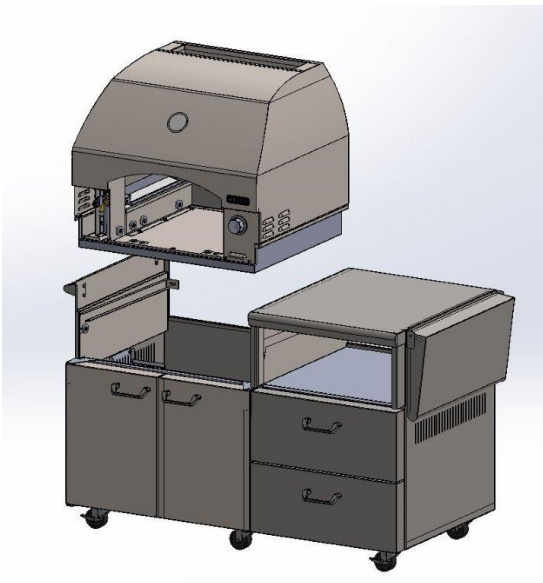


Remove the cooking deck by sliding it forward and carefully lifting the deck out of the oven.

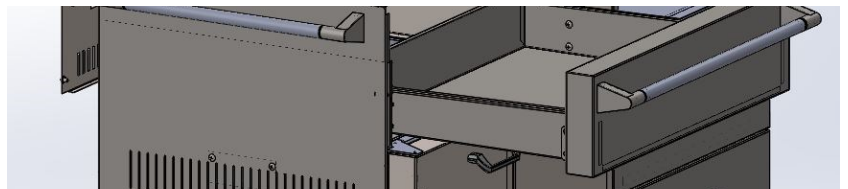


Remove all of the rubber feet off the base (only two shown in illustration).

Place the pizza oven inside the cart frame.

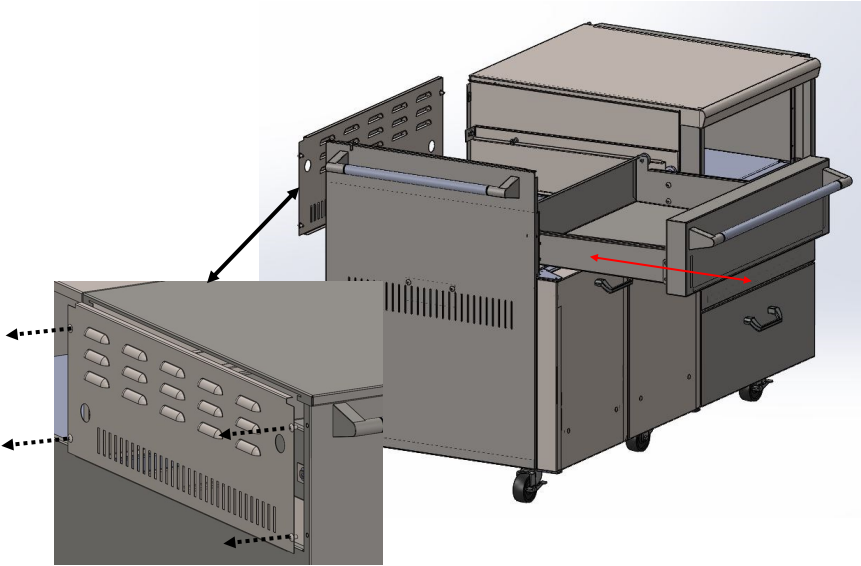


Re-attach the rear panel with the previously removed screws, and slide the cart utility drawer back into position of the roller bearings. Reinstall the cooking deck.



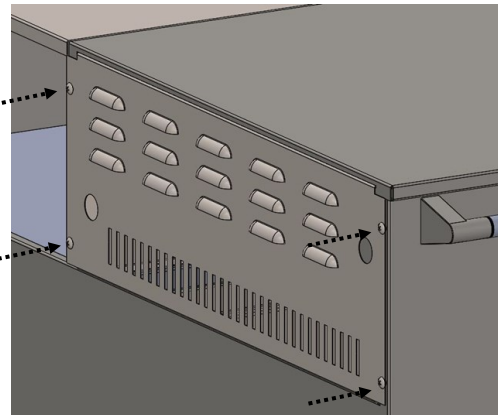
L30AG

Remove the four screws on the back panel. Slide out drawer and remove completely to begin installation.



Carefully lift the Asado Grill and position it above the cart.

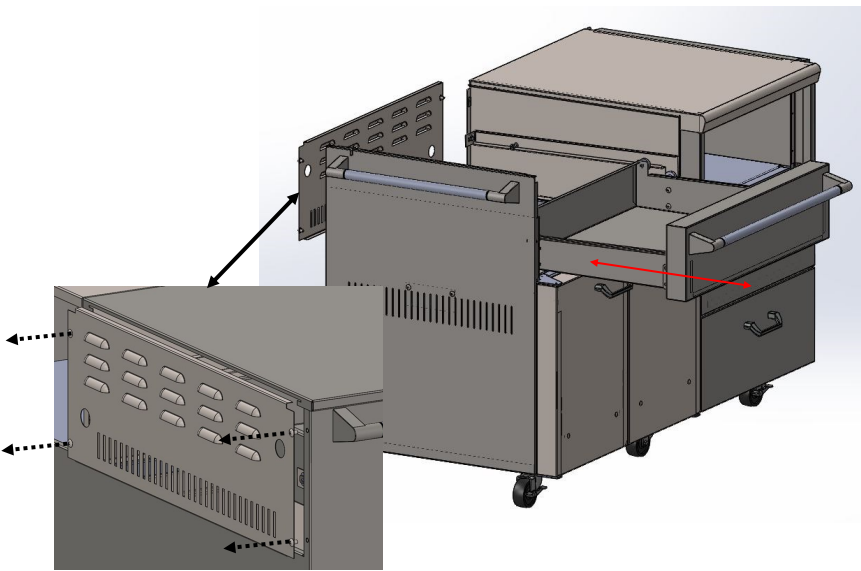
Place the Asado Grill inside the cart frame.



Re-attach the rear panel with the previously removed screws.

L30PSR

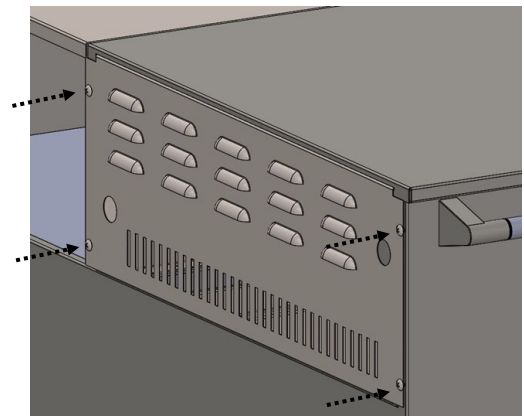
Remove the four screws on the back panel. Slide out drawer or remove completely to begin installation.



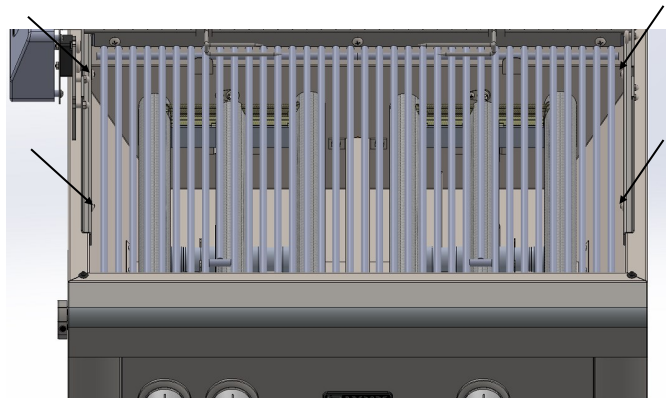
Carefully lift the 30" Grill and position it above the cart.



Place the grill inside the cart frame.



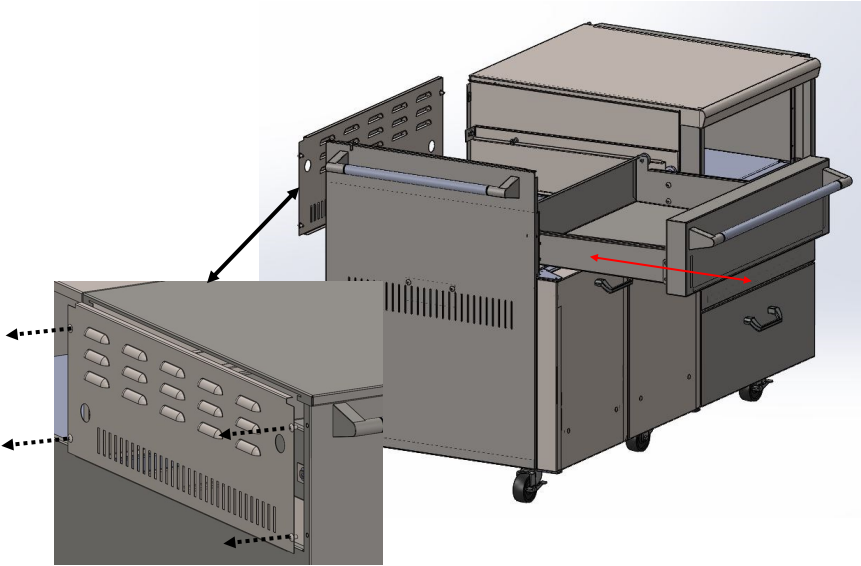
Re-attach the rear panel with the previously removed screws.



Once the grill has been placed inside the cart. You will want to remove the following screws and replace them with the supplied screws.

LSMK

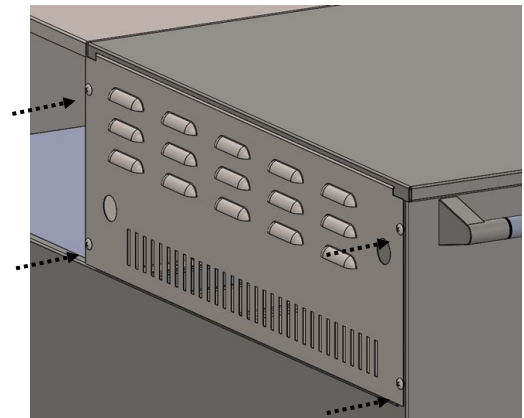
Remove the four screws on the back panel. Slide out drawer or remove completely to begin installation.



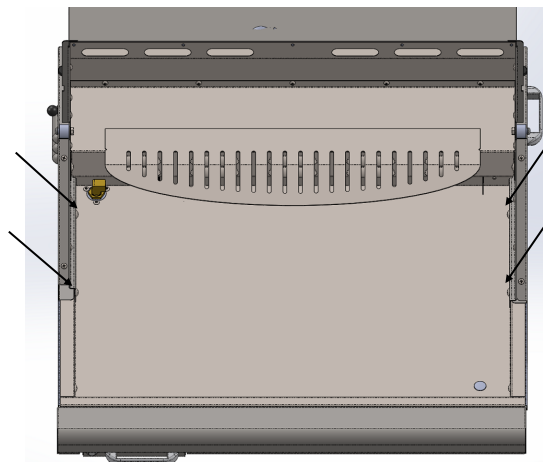
Carefully lift the Sonoma Smoker and position it above the cart.



Place the smoker inside the cart frame.



Re-attach the rear panel with the previously removed screws.



Once the grill has been placed inside the cart. You will want to remove the following screws and replace them with the supplied screws.



Lynx Professional Grills
62201 Hwy 82 West
Greenwood, MS 38930
888-289-5969
www.lynxgrills.com